



The efficient Smart Power Technology of the Essence 440 ensures full UV power and at the same time low power consumption.

44 UV lamps promise an intensive body tanning. The tanning room provides enough space for a beautiful and even tanning, thanks to its height of 2.05 m.

The optional sound system with amplifier, headphones and MP3 connection provides first class entertainment. It may be connected directly to the standard loudspeaker.

The soft-touch control panel including an integrated timer and digital time display is especially intuitive with its clear layout and self-explanatory symbols.

The standard fan (body cooling) additionally guarantees for a pleasant fresh feeling during the tanning session.

The device can be equipped with Vibra Shape for a surcharge. 4 vibration programmes with different vibration frequencies ensure, e.g. for an improved burning of fat or encourage the production of muscles.

Essence 440

Smart Power 200

Contents

Device description without Vibra Shape	2
Device description with Vibra Shape	3
Technical data	4
Dimensions	5
Equipment cooling	6
Body cooling	6
Vibration plate (Vibra Shape)	6

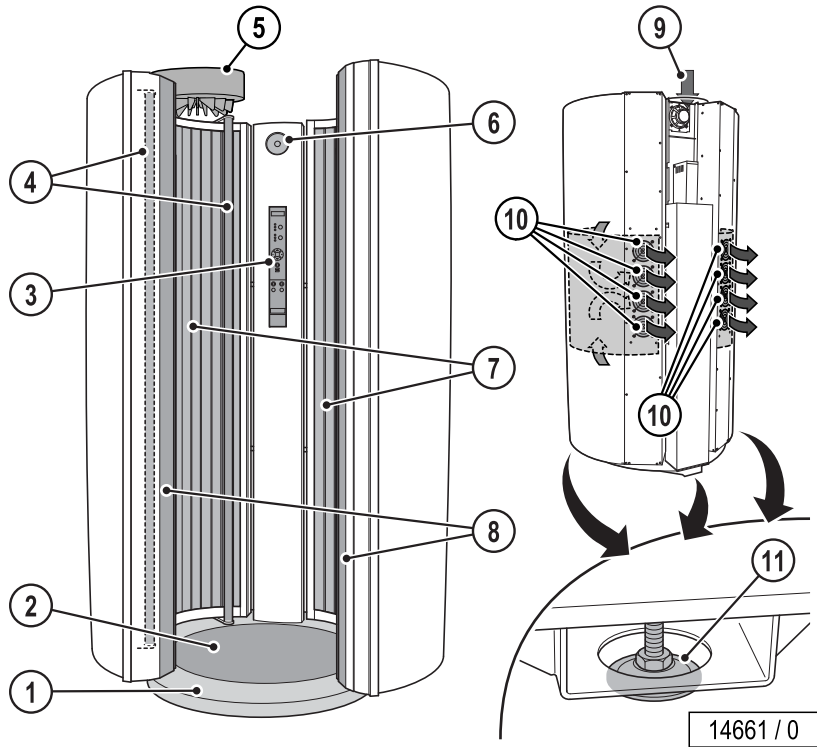


NOTE:

For further equipment features and planning data for the Essence devices, please see the Essence series chapter.

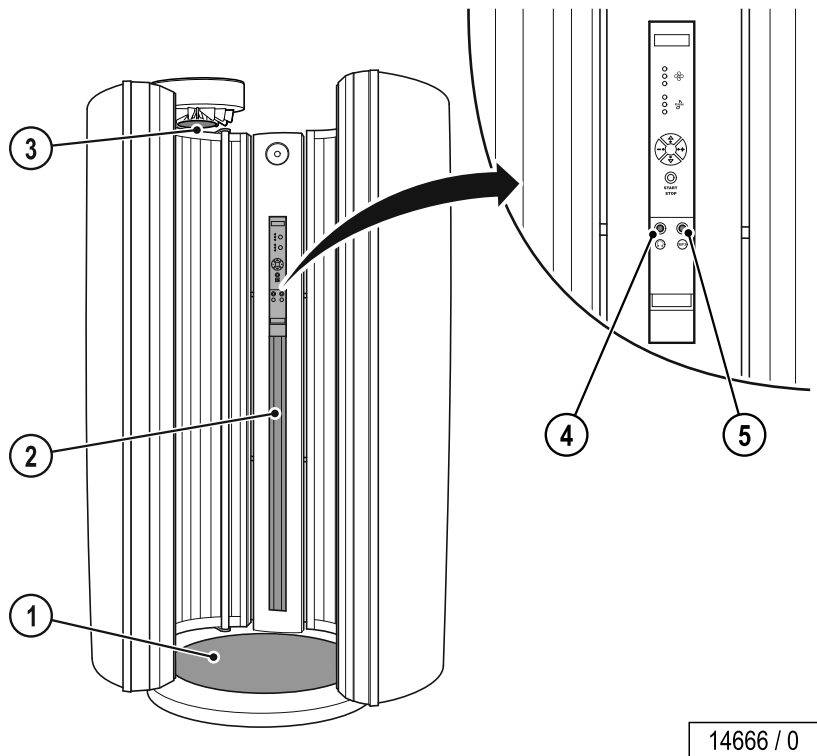
Device description without Vibra Shape

1. Base plate
2. Foot mat (Plastic)
3. Operating panel
4. Holding bars
5. Fan (body cooling)
6. Loudspeakers
7. UV low pressure lamps
8. Clamping strips (acrylic glass panels)
9. Supply air (body cooling)
10. Exhaust air (equipment cooling)
11. Height-adjustable feet



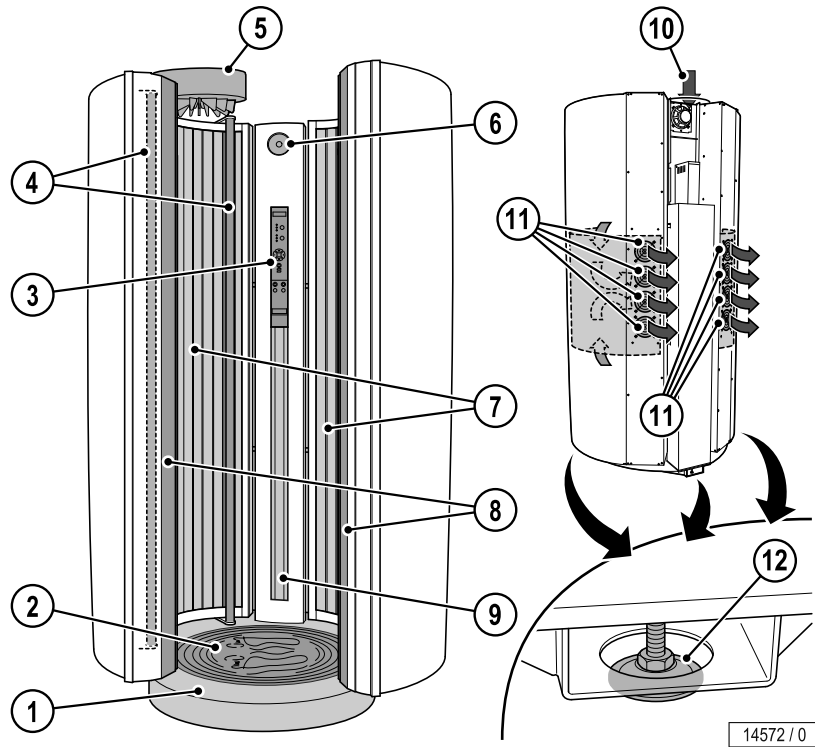
Equipment versions (optional)

1. Mirrored base
2. Interior lighting
3. AROMA
4. Headphone connection, jack plug Ø 6.3 mm
5. MP3 connection, jack plug Ø 3.5 mm
6. Central air outlet system (not shown)



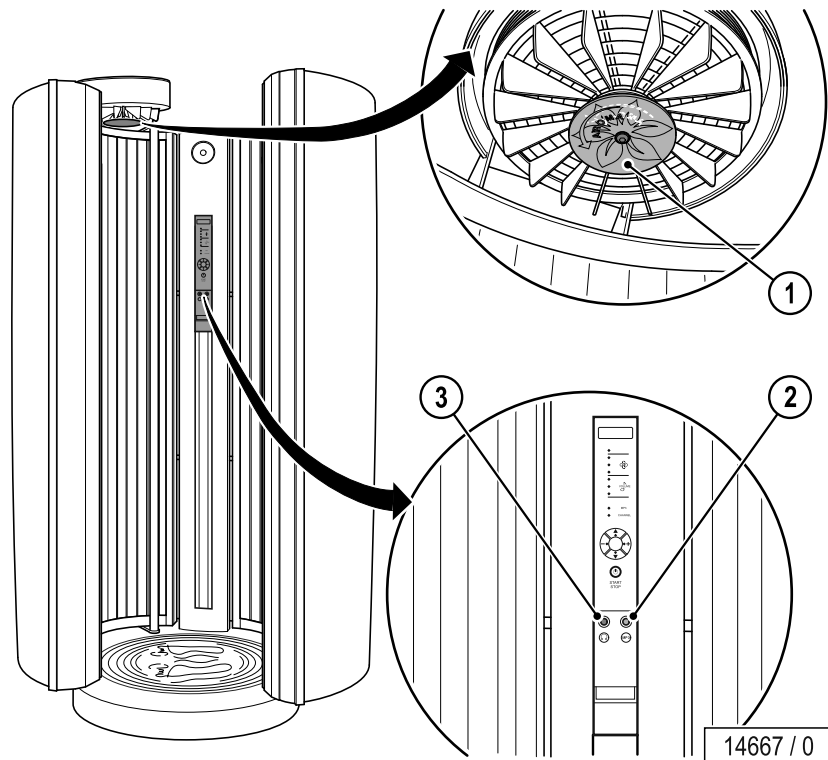
Device description with Vibra Shape

1. Base plate
2. Foot mat and vibration plate (Vibra Shape)
3. Operating panel
4. Holding bars
5. Fan (body cooling)
6. Loudspeakers
7. UV low pressure lamps
8. Clamping strips (acrylic glass panels)
9. Interior lighting
10. Supply air (body cooling)
11. Exhaust air (equipment cooling)
12. Height-adjustable feet



Equipment versions (optional)

1. AROMA
2. Headphone connection, jack plug Ø 6.3 mm
3. MP3 connection, jack plug Ø 3.5 mm
4. Central air outlet system (not shown)

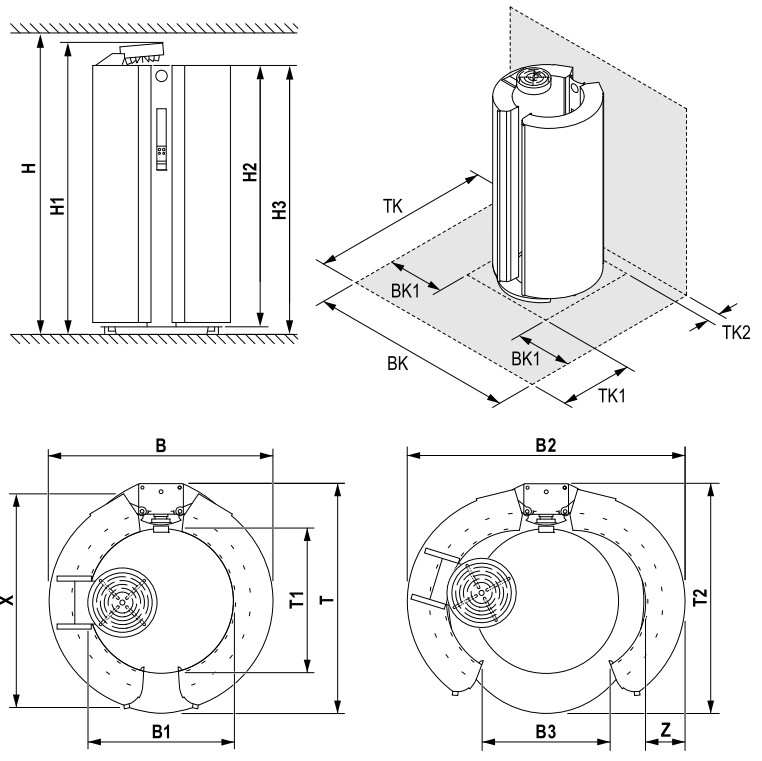


Technical data

Electrical data	without Vibra Shape	with Vibra Shape
Nominal power consumption:	7400 W	7400 W
Nominal voltage:	400 V ~3	400 V ~3
Nominal frequency:	50 Hz	50 Hz
Rated fusing:	3 x 20 A (time delay)	3 x 20 A (time delay)
Mains supply line:	H05VV-F 5G 2.5 mm ²	H05VV-F 5G 2.5 mm ²
or		
Nominal voltage:	230 V ~3	230 V ~3
Nominal frequency:	50 Hz	50 Hz
Rated fusing:	3 x 32 A (time delay)	3 x 32 A (time delay)
Mains supply line:	H05VV-F 5G 4 mm ²	H05VV-F 5G 4 mm ²
Load on the base plate:	150 kg	135 kg
Weight:	202 kg	206 kg
Performance:		
Sidewalls:		
UV low pressure lamps	44 x 200 W	44 x 200 W
Noise emission: Acoustic pressure level		
Without fan (body cooling) and air outlet system:	50.0 dB (A)	50.0 dB (A)
With fan (body cooling):	56.8 dB (A)	56.8 dB (A)
With air outlet system:	49.9 dB (A)	49.9 dB (A)
With fan (body cooling) and air outlet system:	56.8 dB (A)	56.8 dB (A)
Inlet and exhaust air		
Temperature difference, supply/exhaust air:	19 °C	19 °C
Max. air requirement:	1000 m ³ /h	1000 m ³ /h
Opt. ambient temperature:	25-30 °C	25-30 °C
Max. ambient temperature:	15-40 °C	15-40 °C
Max. inlet air temperature:	40 °C	40 °C
Exhaust cross section w/o exhaust system:	- cm ²	- cm ²
Cabin inlet air cross section:	2000 cm ²	2000 cm ²
Exhaust cross section with exhaust system:	177 cm ²	177 cm ²

Dimensions

B	1090 mm
B1	700 mm
B2	1350 mm
B3	620 mm
T	1100 mm
T1	700 mm
T2	1100 mm
H (w/o Vibra Shape)	2320 mm
H (with Vibra Shape)	2380 mm
H1 (w/o Vibra Shape)	2270 mm
H1 (with Vibra Shape)	2340 mm
H2	2050 mm
H3 (w/o Vibra Shape)	2130 mm
H3 (with Vibra Shape)	2170 mm
X	1035 mm
Z	470 mm
BK	2100 mm
BK1	375 mm
TK	2400 mm
TK1	1000 mm
TK2	300 mm

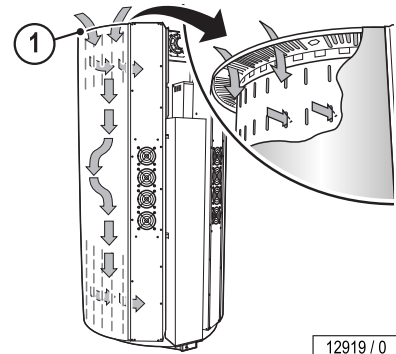


14965 / 0

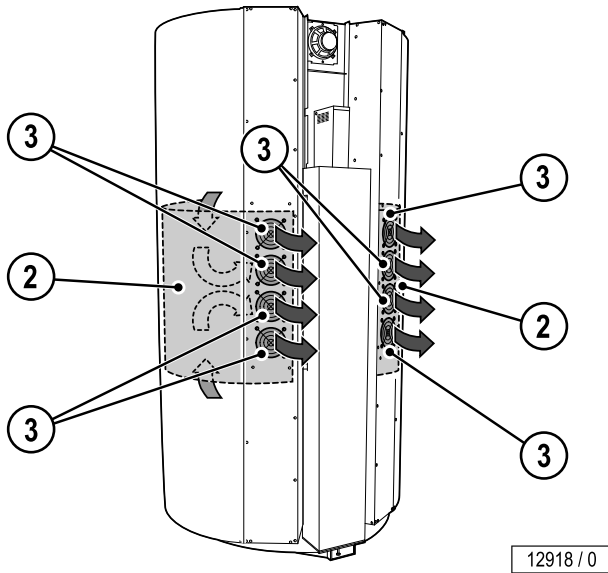
Equipment cooling

To cool the device, the cabin or studio air is drawn in through louvres (1) on the two side panels (supply air).

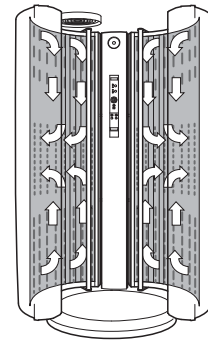
The air drawn in is guided past the heated UV low pressure lamps and is then drawn to the outside or into the central exhaust air support (3) via the two air ducts (2) on the rear side of the device as heated exhaust air.



12919 / 0



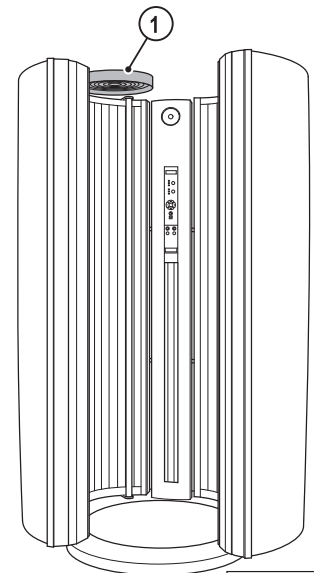
12918 / 0



12682 / 0

Body cooling

The body cooling of the user is carried out automatically through the fan (1). The intensity can be regulated in several steps. For this purpose, the cabin or studio air is drawn in and used for the cooling.



12680 / 0

Vibration plate (Vibra Shape)

Optional.