

## TABLE OF CONTENTS

<b>1</b>	<b>OVERVIEW</b>	<b>2</b>
1.1	COMPONENTS	3
1.2	SPECIFICATIONS	4
1.3	OPTIONAL PC REQUIREMENTS	4
<b>2</b>	<b>QUICK INSTALLATION</b>	<b>4</b>
2.1	CONNECTING THE T-MAX® TIMING SYSTEM	4
2.2	SETTING THE ADDRESSES	5
<b>3</b>	<b>INSTALLATION</b>	<b>6</b>
3.1	WIRING	6
3.1.1	<i>T-Max® Manager G2</i>	6
3.1.2	<i>T-Max® 3W G2</i>	6
3.2	WIRELESS G2 ADAPTERS	6
<b>4</b>	<b>INITIAL CONFIGURATION</b>	<b>7</b>
4.1	MANUALLY ADDRESSING T-MAX® 3W G2s	7
4.2	T-MAX® MANAGER G2	7
<b>5</b>	<b>MANUAL OPERATION</b>	<b>7</b>
5.1	DESCRIPTION	7
5.2	INITIAL CONFIGURATION	7
5.2.1	<i>Initial Setup Mode</i>	8
5.2.2	<i>Display 1 - Delay</i>	8
5.2.3	<i>Display 2 - Auto Start</i>	8
5.2.4	<i>Display 3 - Maximum Bed Number</i>	9
5.2.5	<i>Display 4 - Display Mode</i>	9
5.2.6	<i>Displays 5 through 8 - Sending and Receiving Parameters</i>	9
5.2.7	<i>Display 9 – Max Slave Address</i>	10
5.2.8	<i>Display 10 – Manager G2 Address</i>	10
5.2.9	<i>Exiting Parameter Mode</i>	11
5.3	STARTING A SESSION	11
5.4	PAUSING A SESSION	11
5.5	CANCELING A SESSION	11
5.6	CLEAN ROOM	12
<b>6</b>	<b>COMPUTER OPERATION</b>	<b>12</b>
<b>7</b>	<b>EXPANSION</b>	<b>12</b>
7.1	ADDING BEDS	12
7.2	ADDING T-MAX® MANAGER G2s	12

## 8 FIGURES ..... 13

8.1	FIGURE A - THE T-MAX® MANAGER G2 .....	13
8.2	FIGURE B - CONNECTING THE T-MAX® SERIES .....	14
8.3	FIGURE D - MODULAR CABLE PINOUTS .....	14
8.4	FIGURE C - MULTIPLE CONFIGURATIONS .....	15
8.5	FIGURE E - INITIAL SETUP DISPLAY .....	16

(C) COPYRIGHT 1995-2007 By Applied Digital, Inc.

The information in this manual is believed to be correct. However, Applied Digital, Inc. assumes no responsibility for any errors herein. This information is subject to change without notice, and should not be construed as a commitment by Applied Digital, Inc.

### WARRANTY

This product is warranted against defective materials and workmanship for a period of two years from date of purchase. In the event the product fails to perform, it may be returned; Shipping Paid, to the factory to be serviced or replaced at the factory's discretion. Applied Digital, Inc. will pay to ship the repaired or replaced product by the shipping means of our choosing. Returns will not be accepted without a Return Authorization Number assigned by the factory.

It is a Condition of Sale that the user of Applied Digital Inc.'s products assumes all risk and responsibility of use and indemnifies Applied Digital, Inc. against all damages. Applied Digital, Inc. is not liable for loss of profits, lost savings, special, incidental, consequential, indirect or other similar damages arising from breach of warranty, breach of contract, negligence, or other legal action even if Applied Digital, Inc. or its agent has been advised of the possibility of such damages, or for any claim brought against you by another party. This warranty allocates risks of product failure between the purchaser and Applied Digital, Inc. Salon System, Inc.'s hardware pricing reflects this allocation of risk and the limitations of liability contained in this warranty. It is a violation of the stated warranty to cut or modify the provided modular cables supplied with the T-Max® Series Timers. Connecting the T-Max® Series to third party timers not approved by Applied Digital, Inc. also violates the stated warranty. Contact your dealer or Applied Digital, Inc. to determine if your third party timer is approved by Applied Digital, Inc.

## 1 OVERVIEW

Congratulations on your purchase of Applied Digital, Inc.'s T-Max® Series of tanning bed timers. The T-Max® is designed for complete automation and control of your tanning equipment. It is also an excellent manual backup system in case your computer fails. The T-Max® Manager G2 can be used as a stand alone unit or can be controlled by a computer using many third party software packages. Manual operation is accomplished via front panel controls.

Operation via front panel controls is accomplished by pressing the proper sequence of buttons. There are eight LED displays, each showing the status of one bed. LED lights at the bottom show which bank of ten beds are being controlled, beds 1-10, 11-20, 21-30 and so on. If the T-Max® Mgr G2 loses power, the T-Max® 3W G2's can be configured to be stand alone timers. As long as the T-Max® Manager G2 is active, only the Start/Stop and Clean Room features are available from the T-Max® 3W G2.

**Note:** Many tanning units are manufactured with T-Max® Certified timers built into them. These tanning beds can be controlled by the T-Max® Manager G2 without the need to have a T-Max® 3W G2 in the tanning room. Contact the tanning bed manufacturer to see if your tanning bed is supplied with a T-Max® Certified timer.

T-Max® Certified timers are timers manufactured by Applied Digital, Inc. Connecting timers not manufactured by Applied Digital, Inc. is not recommended and may not work the same as a T-

Max® timer. Applied Digital, Inc. does not support timers that are connected to the T-Max® Manager G2s that are not manufactured by Applied Digital, Inc.

This manual should be used by a licensed electrician when installing your new system. Check for compliance with local building codes.

## 1.1 Components

### **T-Max® Mgr:**

- 1 T-Max® Mgr G2 Unit
- 1 9V DC @ 1A Power Transformer
- 1 RS-232 Cable DB9M-DB9F
- 1 USB-RS232 converter w/drivers
- 1 This Manual
- 1 ADNET 2K Utility Software

Contact your dealer if any components are missing.

### **Options:**

#### **T-Max® Enclosure**

Attaches to the T-Max® 3W G2 to hang on the wall or set on a desk.

#### **T-Max® Slave Kit**

Required for each slave T-Max® Mgr G2 installed.

#### **T-Max® Speaker**

Connects to T-Max® 3W G2 to provide for a higher volume alarm in tanning room.

#### **T-Max® Monitor/Plus**

Connects anywhere in the T-Max® Series daisy-chain to provide 16 displays showing bed times and status's.

#### **ADNET-Repeater**

Connects in the middle of the daisy chain amplify the communications signal. Not needed for wireless salons.

#### **Optical Isolator**

Connects either after the T-Max® Manager/Pro or in the middle of the daisy-chain. Protects system from power surges. Also acts as a repeater. Not needed for wireless salons.

#### **G2 Access Point and G2 Power Injector** (wireless adapter)

Allows the T-Max® System to be connected without the need to connect daisy-chain wires. Uses 900MHz for communications.

Contact your dealer for more information on all of our options for the T-Max® Series.

## 1.2 Specifications

### T-Max® Mgr:

<b>Power Supply</b>		IN - 120VAC OUT - 9 (DC) @ 1A
<b>Current Draw</b>		800mA
<b>Dimensions</b>		4.5" x 11.5" x 1.25"
<b>Communications</b>	T-Max® Mgr G2 - PC	RS-232C, 9600 Baud, 8Bit, 1 Stop Bit, No Parity

### Display:

T-Max® Manager G2: 10, 2 digit LED displays showing bed and time status.

### Maximum Units:

60 T-Max® timers controlling up to 60 beds.

8 T-Max® Mgrs can be used

1 Computer can be connected to each T-Max® Manager G2.

## 1.3 Optional PC Requirements

- 1) 1MByte available RAM.
- 2) 5Mytes available Hard Disk Drive Space.
- 3) 1 available RS232 port.
- 4) IBM AT, 286, 386, 486, Pentium or Compatible.
- 5) Windows® 95/98/2000/NT/XP/Vista

## 2 QUICK INSTALLATION

### 2.1 Connecting the T-Max® Timing System

- 1) Install a T-Max® 3W G2 in each room. Install the T-Max® Manager G2 at the front desk.  
If your tanning bed has a T-Max® compatible timer installed in it, you do not need to install a T-Max® 3W in that tanning room.
- 2) A 50' modular cable (phone type cable) is provided with each T-Max® 3W G2. Run one modular cable from the T-Max® Manager G2 location to T-Max® 3W G2 in the nearest tanning room. Run the other modular cables from room to room in a daisy-chain fashion.  
*Note:* If you are connecting the T-Max® using the G2 wireless adapters, DO NOT run the modular cables in a daisy-chain. Refer to the G2 Sheet for connecting the G2 units to the T-Max® Manager G2 and timers in the tanning rooms.
- 3) Connect the modular cables to each T-Max® 3W G2 and the T-Max® Manager G2. When finished each T-Max® 3W G2 except the last one will have two modular cables connected. The last T-Max® 3W G2 will only have one modular cable connected to it.
- 4) Connect the tanning bed to the "Contact" screw terminals on the back of the T-Max® 3W G2 in each tanning room.

**Important:** There may be many wires visible on the tanning bed. Two of these wires are specifically used for connecting the tanning bed to an external timer. If you do not know which wires to use, refer to the tanning bed's manual or contact the bed's manufacturer.

5) Each T-Max® 3W G2 came with a 9V power supply. Connect a power supply to the “POWER” screw termination block on the back of each T-Max® 3W G2.

6) Plug each of the T-Max® 3W G2’s power supply into a standard 110V power outlet.

## 2.2 Setting the Addresses

7) Apply power to the T-Max® Manager G2. Wait until the Manager stops scanning.

8) Press the Start/Stop Button under displays 1 and 10 on the T-Max® Mgr G2 at the same time until the displays change and show zeros in displays 6, 7 and 8. Release the Start/Stop Buttons.

9) Press the Set buttons under displays 6, 7 and 8 until the number for security level 2 is displayed.

For the factory default settings, see the security sheet that was supplied with the T-Max® Manager.

10) Once the security number is shown in displays 6, 7 and 8 press the Start/Stop button under display 1. The displays will change to various numbers.

11) Press and release the Start/Stop Button under Display 2.

Display 3 on the T-Max® Manager G2 will change to 1. Each T-Max® 3W G2 will show a “99” on their displays and beep continuously. Some tanning units with T-Max® Certified timers may show an ID followed by a number.

12) Go to each room **in the order that you want the room numbers to be** (1, 2, 3, 4, 5, 6 etc.) and press the Start/Stop buttons in each room until the displays on each T-Max® 3W G2 shows a 0. On some tanning units with Red and Green buttons, press the Green button.

As you press the Start/Stop buttons on the timers in the rooms, Display 3 on the T-Max® Mgr G2 will count up. This is the Max. Bed Number that the T-Max® Mgr G2 will scan for each time power is applied.

If you want to skip a room number, press the Set button under display 3 until the next address you want your next room to be is shown in display 3. For example, if you want to skip address 7, after pressing the Start/Stop buttons in rooms 1 through 6, go back to the T-Max® Manager G2. Display 3 will show a 7. Press the Set button under display 3 one time to make display 3 show an 8. Then go to room 8 and press the Start/Stop button. Display 3 on the T-Max® Manager G2 will show a 9. Continue with the addressing.

13) Once all addressing has been completed, press the Change Display Of Beds button on the lower left corner of the T-Max® Manager G2. After a short pause, the T-Max® Manager G2 will scan and show a number under each display that represents a bed number. Rooms that do not have an address will be indicated with two dashes.

Installation is now complete.

## 3 INSTALLATION

### 3.1 Wiring

A modular cable with RJ-22 connectors needs to be run from the T-Max® Manager G2 to the first room and from room to room in a daisy chain fashion.

*Note:* If you are connecting the T-Max® using the G2 wireless adapters, DO NOT run the modular cables in a daisy-chain. Refer to the G2 Wireless Adapter Sheet for connecting the G2 Wireless Adapters to the T-Max® Manager G2 and timers in the tanning rooms.

#### 3.1.1 T-Max® Manager G2

Connect the 9V-power supply to the T-Max® Manager G2 and an 110VAC outlet.

If you are wiring your salon to the rooms in a daisy-chain, connect the modular cable going to the tanning room to the RJ-22 (small) modular connector on the T-Max® Mgr G2. If you are using our G2 wireless modules to control your salon, connect the RJ-11 Cable that is provided with the G2 Access Point to the RJ-11 (larger) modular port on the T-Max® Manager G2.

If you are using a PC, connect the RS-232 DB9F-DB9M cable between the serial port on the T-Max® Mgr G2 and the serial port on your computer.

#### 3.1.2 T-Max® 3W G2

Connect the modular cable connected to the T-Max® Mgr G2 to one of the small modular ports on the back of the T-Max® 3W G2 in the first tanning room. Make sure the cable is connected to the small modular for on the T-Max® Mgr G2. Connect the modular cable running to the next tanning room to the open modular port. In the second tanning room, connect the modular cable from the first tanning room to one of the small modular ports on the back of the T-Max® 3W G2. Continue until all of the rooms are connected.

Connect the 9V power supply that came with each T-Max® 3W G2 to the “POWER” screw terminal block on the back of each T-Max® 3W G2. Connect the tanning bed to the “Contact” screw terminals on the back of the T-Max® 3W G2.

*Note:* There may be many wires visible on the tanning bed. Two of these wires are specifically used for connecting the tanning bed to an external timer. If you do not know which wires to use, refer to the tanning bed’s manual or contact the bed’s manufacturer. The T-Max® 3W G2 will touch these wires together to energize the bed.

### 3.2 Wireless G2 Adapters

Using our G2 wireless modules, you can connect an entire T-Max® system without the need to run modular cables throughout your tanning salon. Refer to the G2 Wireless Adapters user’s guide for instructions on connecting the G2 Wireless Adapter to the T-Max® system. Remember, you don’t need to run cables throughout your tanning salon if you are using the G2.

## 4 INITIAL CONFIGURATION

### 4.1 Manually Addressing T-Max® 3W G2s

*Note:* If you are installing new T-Max® system and have just completed Section 2 (Quick Installation), the addresses on the T-Max® 3W G2s are set and you do not need to independently set addresses on the T-Max® 3W G2s

Refer the T-Max® 3W User's Guide on setting the addresses manually. Make sure you do not set duplicate addresses.

### 4.2 T-Max® Manager G2

1) Make sure all wiring is completed. Refer to Section 3 for wiring instructions. If you are using G2 Wireless modules to control your tanning salon, make sure the wireless adapters are connected the T-Max® Manager G2 and each timer as shown in the G2 wireless adapter user's guide.

2) Apply power to the T-Max® Manager G2.

*Note:* On power up the T-Max® Manager G2 will show numbers momentarily on displays 7, 9 and 10 then scan. Display 7 is the T-Max® Mgr G2 address, or the address the T-Max® Mgr G2 is set to: "0" is the Master setting and 1-7 are the Slave settings. Displays 9 and 10 show the software version number in the T-Max® Manager G2.

If you are using a computer, refer to the ADNET 2K users guide on the ADNET 2K CD.

## 5 MANUAL OPERATION

### 5.1 Description

The T-Max® Mgr G2 has 10 LED displays across the top. These displays show bed status, ten beds at a time. Below each display are two push buttons: the Set and Start/Stop buttons. These buttons control bed operation. On the lower left side of the T-Max® Mgr G2 are ten LEDs aligned horizontally, with a push button labeled "Change Display Of Beds" to the left. Each LED represents 10 beds. When the left LED is displayed, beds 1-10 are shown on the displays. When the next LED is illuminated, beds 11-20 are displayed, and so on. Which ever bed is shown on the display will be the bed controlled by the two push buttons below that display. Pressing the "Change Display Of Beds" button changes which beds are displayed and controlled.

On power up the T-Max® Mgr G2 will scan the network to find all T-Max® certified timers connected. Two dashes on a display indicates that no timer was found at that address.

### 5.2 Initial Configuration

*Note:* If you are connected to a Computer and want to go to manual control, disconnect the computer cable from the side of the T-Max® Mgr, then cycle power. If you have already set up the T-Max® Mgr G2 and just want to start sessions manually, go to Section 5.3

### 5.2.1 Initial Setup Mode

- 1) Apply power to the T-Max® Mgr G2 and wait until the T-Max® Mgr G2 stops scanning.
- 2) Press the Start/Stop buttons under. Displays 1 and 10 simultaneously until the T-Max® Manager G2 displays zeros in displays 6,7 and 8 (displays 2, 3, 4,5, 9 and 10 will be blank). Release the buttons.
- 3) Press the Set buttons under displays 6, 7 and 8 until the number for security level 2 is displayed.

For the factory default settings, see the security sheet that was supplied with the T-Max® Manager.

- 4) Once the Security number appears in displays 6, 7 and 8 press the Start/Stop button under display 1. The display will change to various numbers. The display descriptions are as follows:

Display 1 = Delay (Section 5.2.2)

Display 2 = Auto Start (Section 5.2.3)

Display 3 = Maximum Bed Number (Section 5.2.4)

Display 4 = Display Mode (Section 5.2.5)

Displays 5-8 = Parameter values stored in the T-Max® 3W G2s. (Section 5.2.6)

Display 9 = Maximum Slave Number.

Display 10 = Manager G2Address

### 5.2.2 Display 1 - Delay

Below Display 1, press the Set button to set the delay time in minutes. The maximum delay time that can be set is 10 minutes. If you want the session to start immediately, set Display 1 to 0. The delay is for every bed connected to the T-Max® Series.

### 5.2.3 Display 2 - Auto Start

The Auto Start mode will allow you to determine what mode the T-Max® 3W G2 will be in after the delay time expires. Press the Set button to set the Auto Start.

0 - The session time will start immediately after the Delay time expires, but the bed will not energize. The Start/Stop button on the T-Max® 3W G2 must be pressed before bed will come on.

1 - The session time will start and the tanning bed will energize immediately after the delay time expires.

2 - Infinite Delay. The Start/Stop button must be pressed on the T-Max® 3W G2 to start the session. The delay time set on Display 1 (or on a computer) will be ignored.

**Note:** This setting is for every bed in the salon. If the Start/Stop button is pressed on the T-Max® 3W G2 before the delay time has expired, the session will start and the bed will energize. Pressing the Start/Stop button on the T-Max® Mgr G2 after the session has been sent to the T-Max® 3W G2 in the tanning room will NOT turn the bed on.



#### 5.2.4 Display 3 - Maximum Bed Number

Press the Set button under Display 3 to set the maximum bed number. This number must be either equal to or higher than the highest address that the timers in the rooms are set to.

#### 5.2.5 Display 4 - Display Mode

Display 4 allows the user to choose what will be displayed on the T-Max® Mgr G2 after a session has ended. Press the Set button to set the value to either a 2, 1 or 0.

2 – The maximum time stored in the timers in each room will be displayed on that rooms display once the session ends and the clean room is cleared. For example, if the timer for room one is a 15 minute timer, and the timer in room 2 is 20 minutes, then display1 will show a 15 and display 2 will show a 20 after the session ends and the clean room indication is cleared.

1 - The session time that was previously entered will be displayed after the session has ended and the clean room indication has been cleared. For example, if a session time of 20 minutes was entered, after a session time has ended, a 20 will be displayed after the clean room indication is cleared.

0 - A “0” will be displayed after a session ends and the clean room indication is cleared.

#### 5.2.6 Displays 5 through 8 - Sending and Receiving Parameters

*Note:* If you are using more than one T-Max® Mgr G2 in a Master-Slave configuration, you can only monitor and send parameters from the Master T-Max® Manager G2. Displays 5 through 8 can be used to get and send parameters (lamp hours, session counts, etc.). Use Table 1 to determine which parameter you wish check or change.

Press the set button under Display 5 until the bed number that you want to observe or change is shown in Display 5. Press the Set button under Display 6 until the parameter number you wish to observe or change is displayed in Display 6.

##### 5.2.6.1 Checking Parameters Stored in the T-Max® 3W G2s

Press the Start/Stop button under Display 6. The values stores in the T-Max® 3W G2 shown on Display 5 for the Parameter shown on Display 6 will be displayed in Displays 7 and 8.

Pressing the Set button under the Display 5 will allow you check the value stored in each timer for the chosen parameter for each bed.

*Note:* If the display shows E Period, E Period; then either the parameter stored in the timer in the room is higher than 9999 or you are trying to get a parameter from an address that does not exist.

##### 5.2.6.2 Changing Parameters Stored in the T-Max® 3W G2s

1) Press the Start/Stop or Set buttons under Displays 7 and 8 to change the value. Pressing the Set buttons will increment these values, pressing the Start/Stop buttons will decrement these values.

Display 7 is the thousands and hundreds digits. Display 8 is the tens and ones digits. For example, if you set Display 7 to 78, and Display 8 to 12, then the value sent will be 7812. If the value you see is blank, 9, blank, 2, then the value is 902. A blank display = “0”.

The highest value that can be sent from the T-Max® Mgr G2 is 9999. Using PC, some values can be set as high as 65535 (see Table 1, Max #). Pressing the Start/Stop and Set buttons simultaneously under Displays 7 and 8 will set Displays 7 and 8 to 0. If you want to clear a value, such as Bulb Hours after you have changed the bulbs in your tanning bed, set Displays 7 and 8 to 0.

2) Press the Start/Stop button under Display 5 to send the new value to the selected timer.

**Table 1 - Parameter Numbers for Observing and Changing Parameters.**

Parm #	Description	Max #	Default	Notes
1	Address	255	254	Address of T-Max® 3W G2
2	Beep Mode	1	0	Used for High Power beds. 0=Alarm only, 1=Alarm and Flip
3	Delay Time	10	0	Delay in minutes stored in the T-Max® 3W G2.
5	Session Counts	65535	0	Total session counts for T-Max® 3W G2s.
6	Lamp Hours	65535	0	Bulb hours for each bed.
7	Bed Hours	65535	0	Number of hours a bed is on.
8	Manual Session Counts	65535	0	Counts the number of sessions the T-Max® 3W G2 has run while in Stand Alone Mode
9	Clean Room	1	1	0 = Clean Room Disabled, 1 = Enabled
10*	Manual Lockout	1	0	0 = Stand Alone Enabled, 1 = Disabled
13	Cool Down Mode	10	0	0 = Disabled, 1-10=Enabled. Time delay in minutes allowing bed to cool.
15	Fixed Session Counts	65535	0	Counts number of sessions ran through the T-Max® 3W G2. This value cannot be changed at all. Used as point of reference.
20	External Speaker	1	0	0 = Speaker on T-Max® 3W G2, 1 = External Speaker will be used.
21	Pause Mode	1	0	0 = When session is paused, time will continue to count down. 1 = When session is paused, session time will stop counting down.
22	Auto Bed Shut Off	1	0	For T-Max® Intercom Systems Only. 0 = When timer is called bed will stay on, 1 = When timer is called, bed will stuff off automatically.
24	Max Address	1	0	0 = The T-Max® 3W G2 will only go to address 99. 1 = T-Max® 3W G2 will go to address 128.
25	Start/Stop Clean Room Clear	1	0	0 = Only the Set button can be used to clear the Clean Room. 1 = Either the Set or the Start/Stop button can be used to clear the clean room.

\* If Manual Lockout is enabled, the T-Max® 3W G2 cannot operate as a stand alone timer. In the event of a T-Max® Mgr G2 failure, this parameter cannot be enabled at the T-Max® 3W G2

### 5.2.7 Display 9 – Max Slave Address

You can have up to 8 T-Max® Managers connected to a T-Max® system in any combination (T-Max® Manager, T-Max® Manager Pro and T-Max® Manager G2). One Manager must be set to address 0 (called the Master). Each additional T-Max® Manager G2 (called slaves) must be set to an address other than 0 and have a different address than any other slave Manager. On the Master T-Max® Manager G2, set display 9 to be equal to or higher than the highest address a Slave Manager is set to. If you do not know the address of your slave T-Max® Managers, just set Display 9 to a 7 as the highest address you can set a slave manager to is 7.

Only set the max slave number on the Master T-Max® Manager G2.

### 5.2.8 Display 10 – Manager G2 Address

If you only have 1 T-Max® Manager G2, keep display 10 at 0. If you are connecting more than one T-Max® Manager G2, each additional Manager G2 must be set to an address other

than 0. Each slave Manager G2 must have a different address, and one Manager G2 MUST be at address 0.

To set the address on a T-Max® Manager G2 to a slave address press the Set button under display 10 until the desired slave address is displayed in Display 10. If you will have more than two Managers, make sure each slave T-Max® Manager G2 has a unique address.

### **5.2.9 Exiting Parameter Mode**

To exit parameter mode press the Change Display Of Beds button located at the lower left corner of the T-Max® Manager G2. The T-Max® Manager G2 will reset and find your timers.

### **5.3 Starting A Session**

If you have set a password for level 1, you must enter the password as described in the Security Sheet that was provided with the T-Max® Manager G2.

- 1) Press the “Change Display Of Beds” button until the desired bed displayed.
- 2) Press the Set button below that display until the desired session time is shown.
- 3) Press the Start/Stop button to start the session.

If a delay time other than 0 is entered, the delay time will be displayed on the T-Max® Mgr G2 and the T-Max® 3W G2 in that room. A fast flashing period will be displayed on the lower right corner on the T-Max® Mgr G2 and T-Max® 3W G2 displays. Once the Session starts, the session time will be displayed on the T-Max® Mgr G2 and the T-Max® 3W G2. The flashing light will slow to a once per second rate.

If the Auto Start Mode is set to a 2 (Infinite Delay), the displays on the T-Max® 3W G2 and the T-Max® Manager G2 will show the session time with a fast flashing period on the lower right corner. The customer must press the Start/Stop button on the T-Max® 3W G2 to start the session. The Delay will be ignored.

### **5.4 Pausing A Session**

Press the Start/Stop button on the T-Max® 3W G2. The flashing period on the T-Max® 3W G2 and the T-Max® Mgr G2 will stop flashing and stay illuminated. The session time will continue to count and the display on the T-Max® 3W G2 and the T-Max® Mgr G2 will continue to reflect the remaining session time. To restart the session, press the Start/Stop button and the period will continue flashing.

### **5.5 Canceling A Session**

To cancel a session, press the Start/Stop and Set buttons on the T-Max® Mgr G2 under that rooms display at the same time.

If the session was canceled while the T-Max® 3W G2 was still in Delay, the clean room indication will not appear. If the Clean Room Indication is enabled on the T-Max® 3W G2 and session was canceled after the tanning bed has been energized, the clean room indication will appear on the T-Max® 3W G2 and the T-Max® Manager G2.

## 5.6 Clean Room

Once the session time has elapsed, the display will show two periods with no numbers indicating that the room needs to be cleaned. Refer to the in room timers user's guide for complete instructions.

## 6 COMPUTER OPERATION

For instructions on using the ADNET2K software, refer to the ADNET 2K user's guide provided on the ADNET 2K CD that came with the T-Max® Manager G2.

## 7 EXPANSION

### 7.1 Adding Beds

One T-Max® Manager G2 will control up to 60 beds. Either purchase a tanning bed with a T-Max® Certified timer or purchase a T-Max® 3W G2 for each tanning bed you add.

- 1) Set the address on the timer in the room as described in the timer's user's guide. If the timer is in the tanning unit, refer to that tanning beds user's guide.
- 2) Apply power to the T-Max® Manager G2. Set the Maximum Bed Number as described in Section 5.2. If you are not using a PC, refer to Section 5.3.

### 7.2 Adding T-Max® Manager G2s

Up to 8 T-Max® Mgrs can be connected in a salon. You must have a T-Max® Slave Kit for each additional T-Max® Manager G2. Each T-Max® Manager G2 in your salon has an address. One MUST be set to address 0. All additional Managers must be set to a unique address. To set the address on a T-Max® Manager G2, refer to Section 5.2.8.

To be able to start sessions with a slave T-Max® Manager G2, the Max slave number must be set on the Master T-Max® Manager G2. Refer to Section 5.2.7 for setting the Max slave number on the Master T-Max® Manager.

Power must be applied to each slave T-Max® Mgr G2 before power is applied to the Master T-Max® Mgr G2. If you remove then reapply power to any Slave T-Max® Mgr G2 you must then cycle power to the Master T-Max® Mgr G2.

If when adding a slave T-Max® Manager G2 to your system and an error code appears on the Master T-Max® Manager, it may be necessary to turn off the termination on each slave T-Max® Manager G2. Located between the power connector and the DB9 computer connection on the side of the T-Max® Manager G2 are two small switches. Switch them to the Off position on each slave T-Max® Manager G2. Leave them in the On position on the Master T-Max® Manager G2.

If you are using the G2 wireless adapters to control your salon wireless, any slave T-Max® Manager G2 MUST be wired to the master T-Max® Manager using a T-Max® Slave kit. Connecting a T-Max® G2 wireless adapter to a slave T-Max® Manager may result in inconsistent communications.

## 8 FIGURES

### 8.1 Figure A - The T-Max® Manager G2



**Front View of the T-Max® Mgr**

#### **Front Panel Descriptions:**

**Displays:** Shows the Status of the timers in the rooms.

**Set Buttons:** Sets the tanning times.

**Start/Stop Buttons:** Sends the tanning times to the timers in the rooms.

**Change Display Of Beds:** Changes the bank of beds the displays are showing and the Set and Start/Stop buttons control.

Pressing Set and Start Stop buttons together under a given display will cancel an active session for that timer.

Pressing the Start/Stop buttons under displays 1 and 10 together will enter parameter mode.

#### **Connection Descriptions:**

DB9 connector: Connects the T-Max® Manager G2 to a computer.

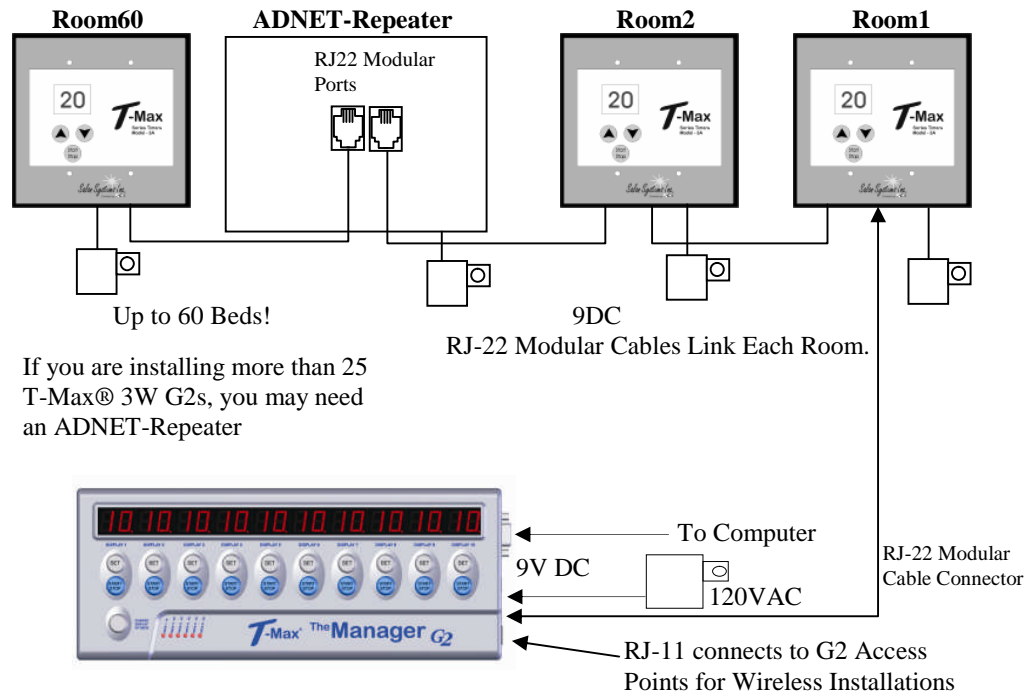
Termination Switches: For network termination.

Round Connector: Power in (9 DC @ 1Amp).

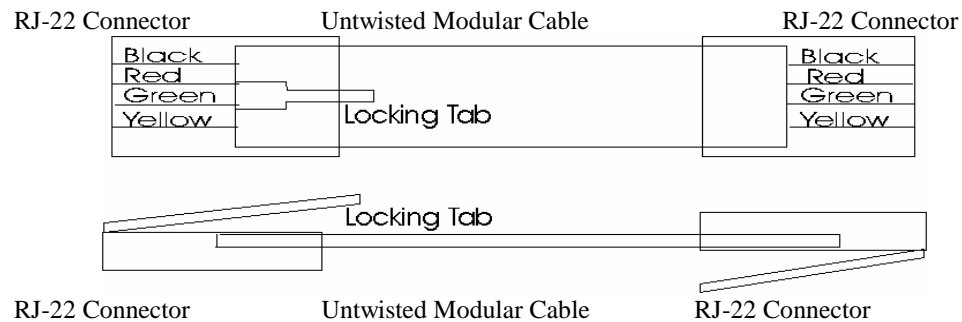
RJ-22 Modular Connector: Connects to first timer in the salon in the daisy-chain.

RJ-11 Connector: Connects to a G2 Access Point for wireless communications to the timers in the rooms.

## 8.2 Figure B - Connecting The T-Max® Series



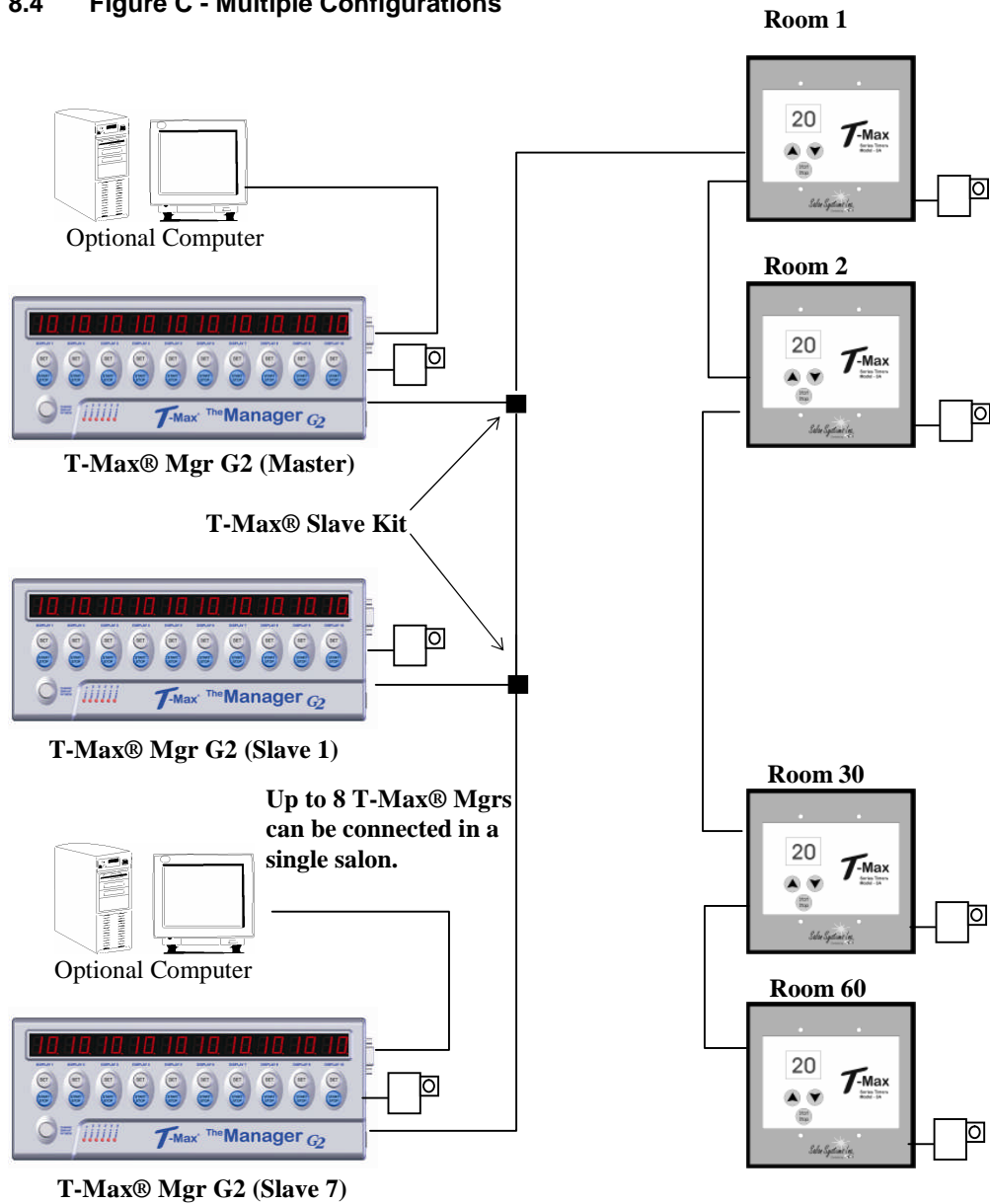
## 8.3 Figure D - Modular Cable Pinouts



Use this diagram if you are making your own cables

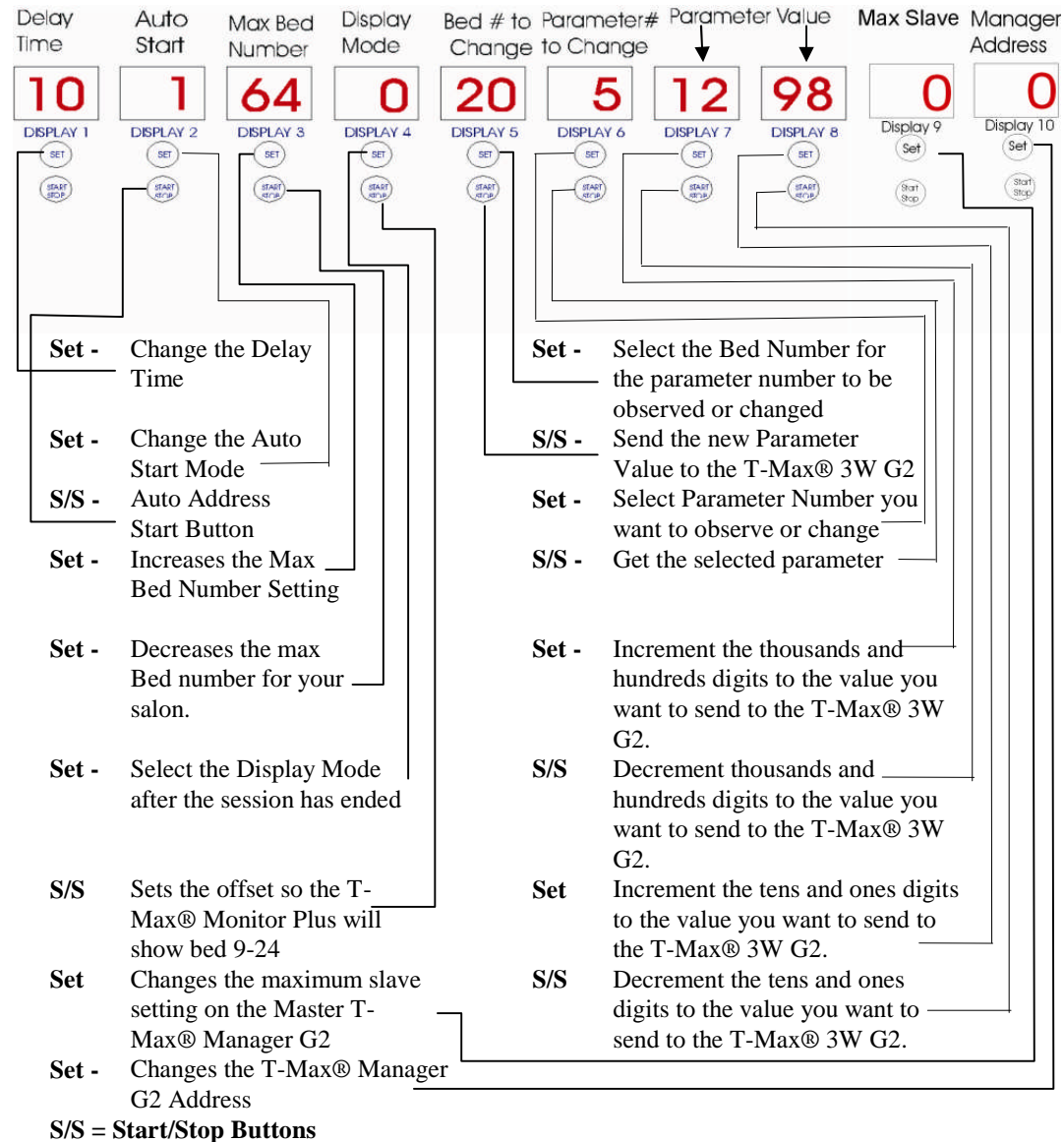
**IMPORTANT!!** Cutting the modular cables provided with the T-Max® 3W G2s voids the warranty on your T-Max® Series. If you need longer cables, please contact your dealer. If the cable provided is too long, simply roll it up in the wall.

8.4 Figure C - Multiple Configurations



## 8.5 Figure E - Initial Setup Display

### T-Max® Manager G2 Displays in Parameter Mode



Initial Setup Display Descriptions for Manual Operation Only